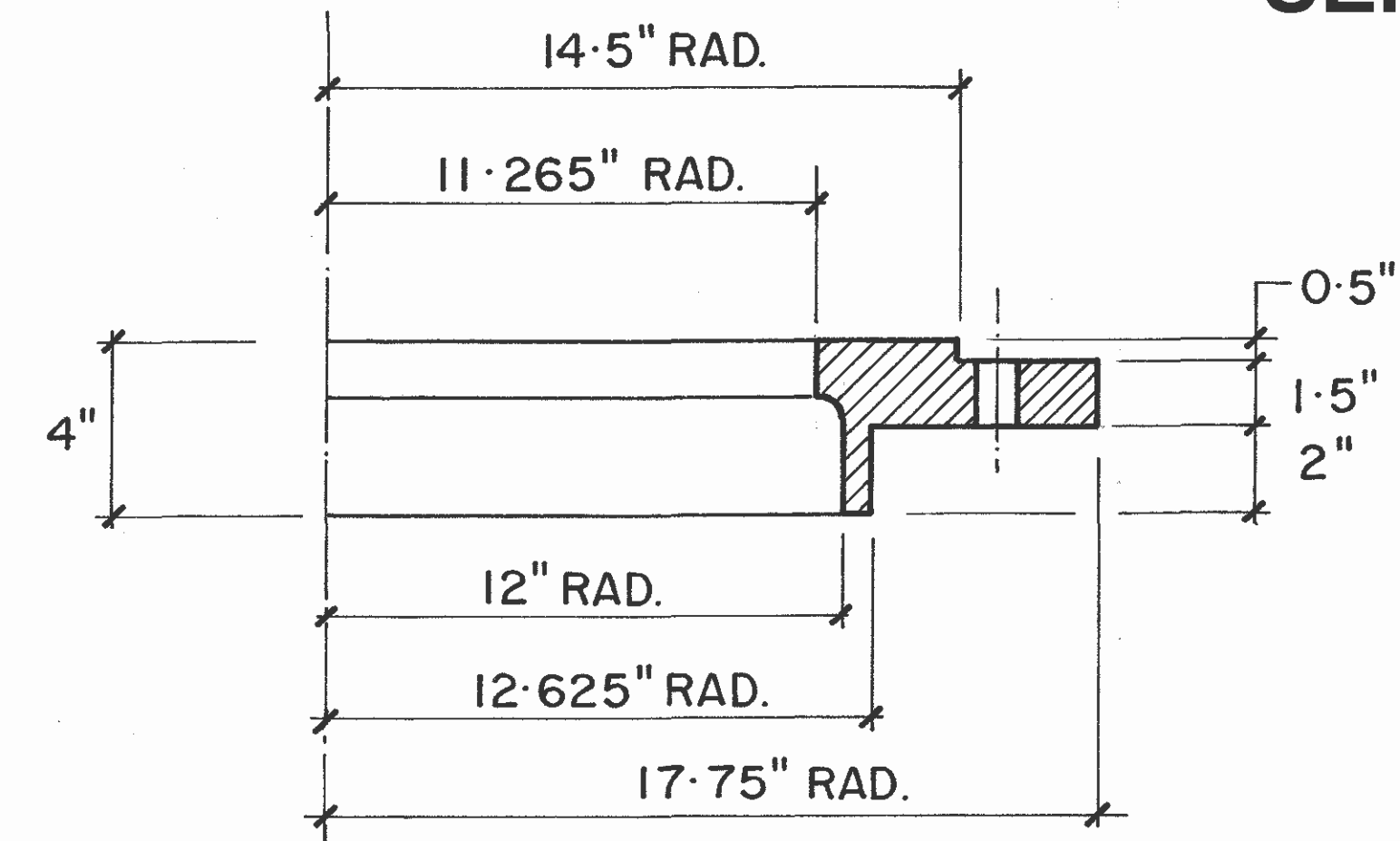
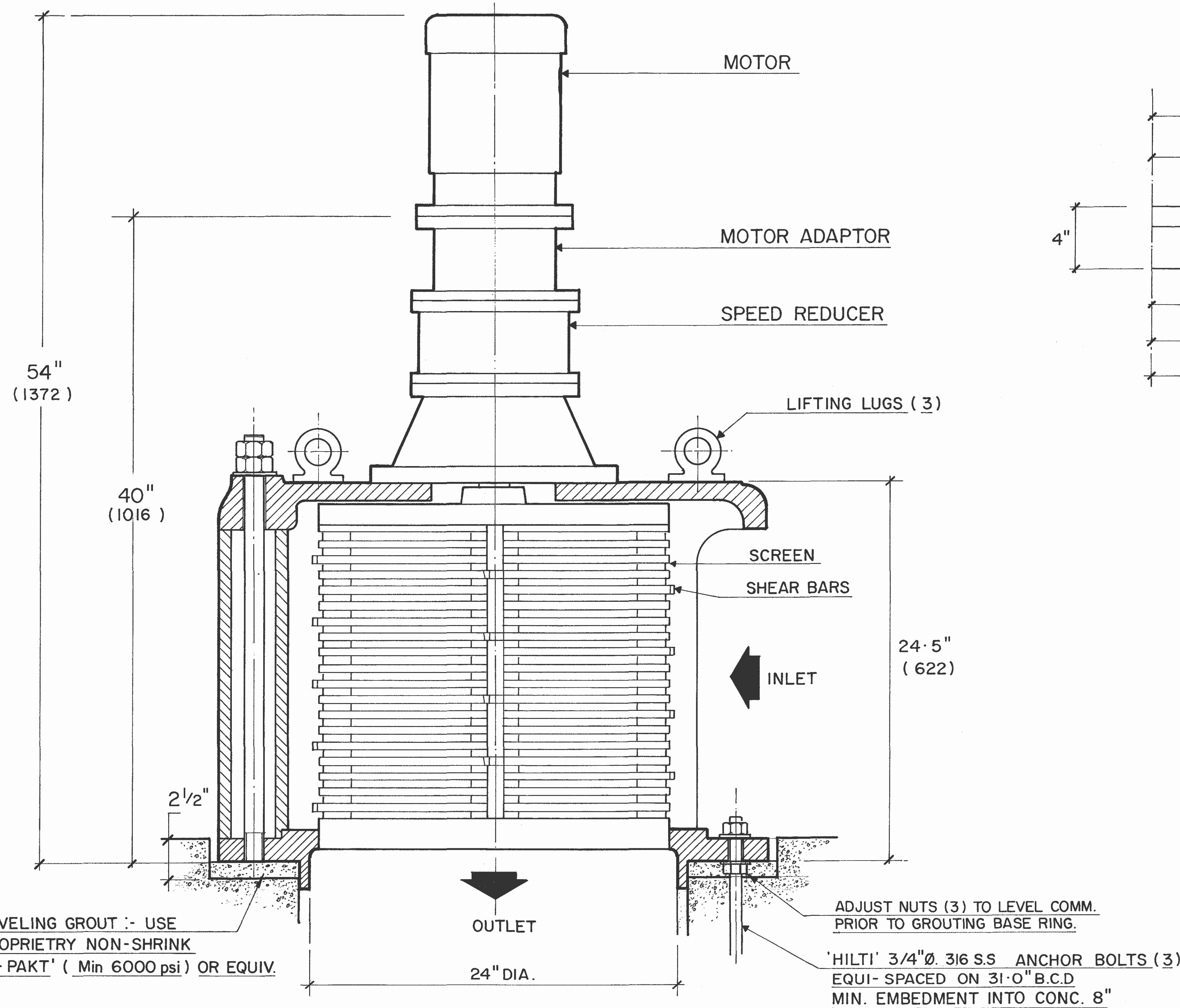
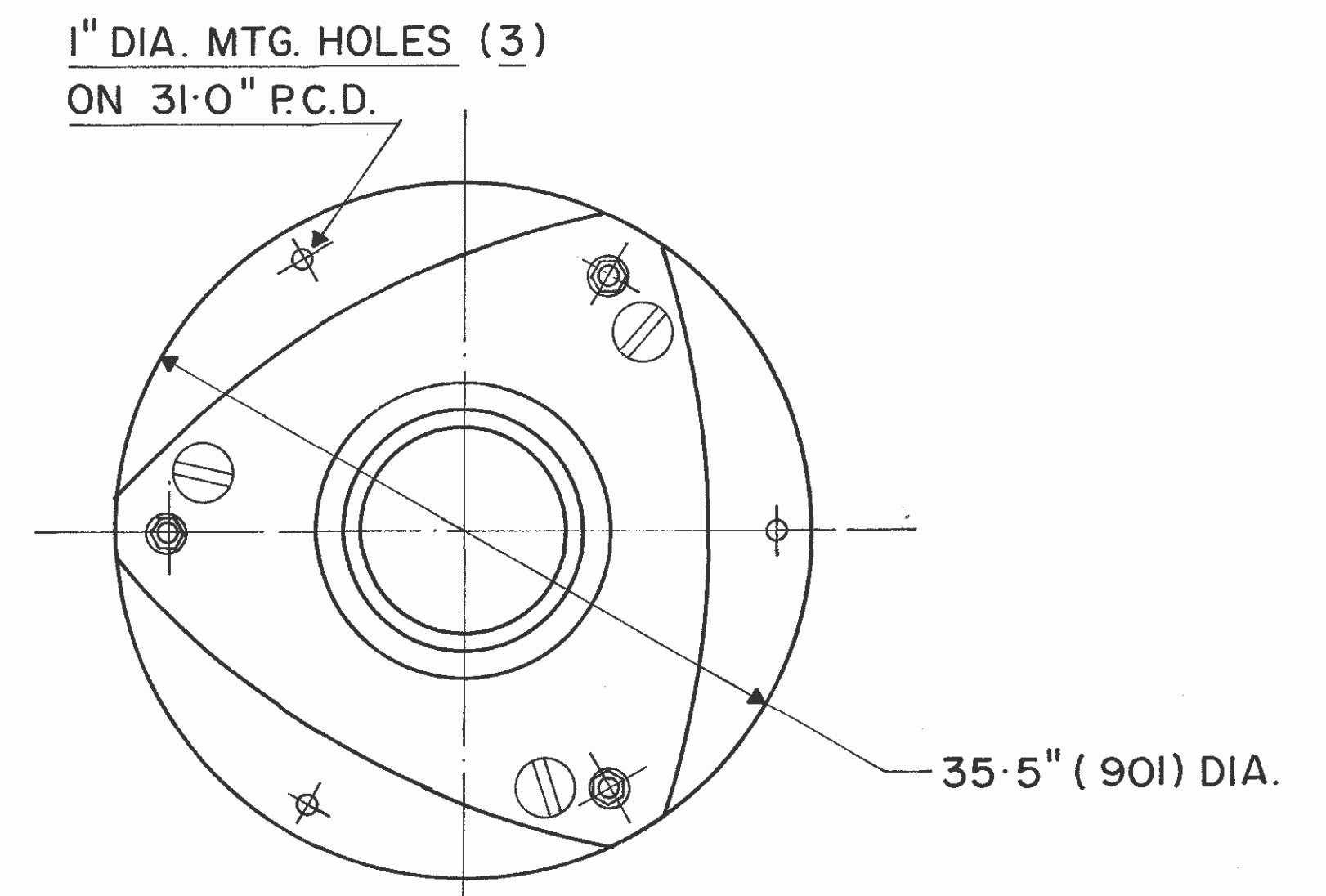


# MODEL 24A STANDARD

SERIAL No. \_\_\_\_\_



BASE RING DETAIL



TOP VIEW OF COMMUNOTOR

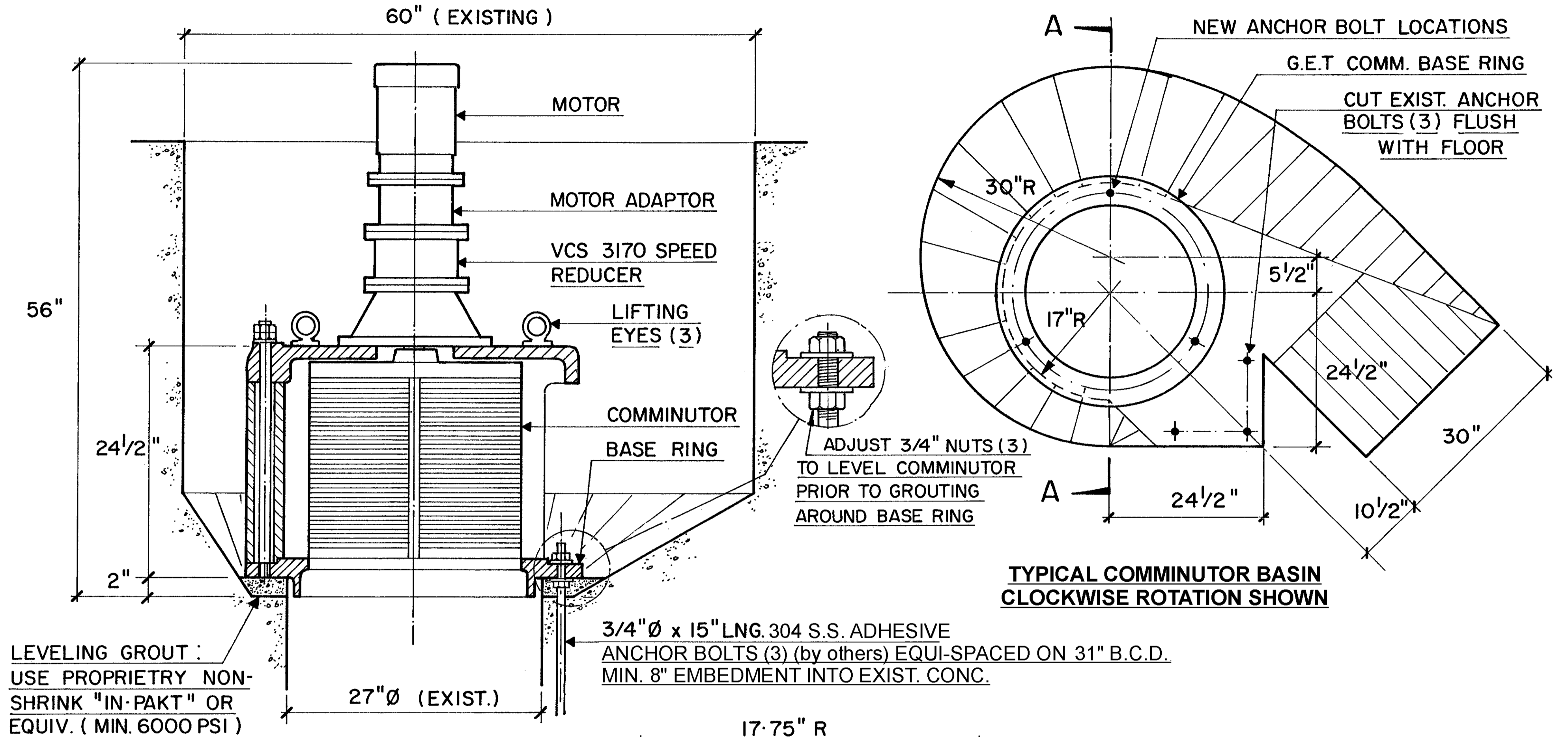
## MATERIALS OF CONSTRUCTION & GENERAL ENGINEERING DATA

HOUSING:	GREY IRON	CAPACITY:	10 MGD (US)/37800 m <sup>3</sup> /day	INLET AREA:	526 sq in 3393 cm sq
DRUM (SCREEN):	DUCTILE IRON (ASTM 536 GRADE 60-45-18)	DRUM SPEED:	30 RPM	OUTLET AREA:	324 sq in 2090 cm sq
SHEAR BARS:	AISI-A2 HIGH ALLOY TOOL STEEL	ROTATION:	CLOCKWISE	DRUM DIAMETER:	22.5 in 572 cm
CUTTING BARS:	AISI-01 TOOL STEEL REVERSIBLE	SLOT WIDTH:	0.470 in / 12 mm	WEIGHT:	1265 lb 574 kg
HARDWARE & FASTENERS:	304 STAINLESS STEEL	NO OF SLOTS:	76		
MOTOR MANUFACTURER:		POWER:	/ /	RPM:	1750
STYLE: TEFC (IP55)	HP: 3	KW: 2.24	FRAME: 182TC	FLANGE: 'C'	RATIO: 59.1
					SM-CYCLO REDUCER MODEL: V6170
					RATING: 11.1 HP

REVISIONS	BY	DATE	APP.
 <b>G.E.T. INDUSTRIES INC.</b> (877) 213-7418 www.grindhog.com			
TOLERANCES			SCALE
± DECIMAL			NTS
± FRACTIONAL			DRAWN BY
± ANGULAR			APPROVED BY
DATE	PROJECT NO.	DRAWING NO.	REV.
		6 0260	

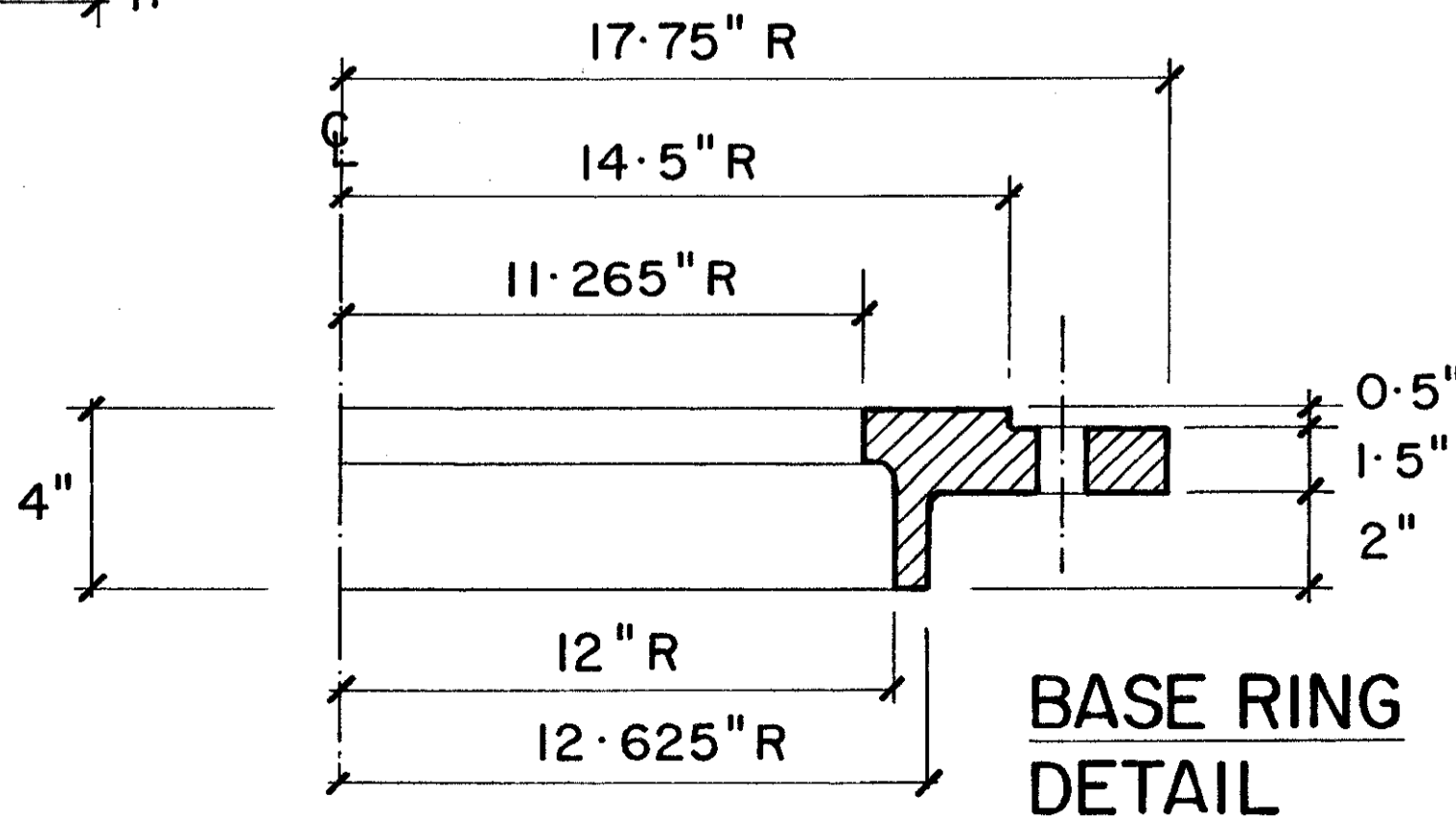
# Grind Hog MODEL 24A (CAPACITY: 10 USMGD)


## REPLACEMENT OF JONES & ATTWOOD MODEL 25R



SECTION A-A

COMMINUTOR WEIGHT :  
1265 LB ( 574 KG )



REVISIONS		BY	DATE	APP.
 <b>G.E.T. INDUSTRIES INC.</b> (877) 213-7418 www.grindhog.com				
TOLERANCES				SCALE
±	DECIMAL			DRAWN BY
±	FRACTIONAL			APPROVED BY
±	ANGULAR			
±	DATE	PROJECT NO.	DRAWING NO.	REV.
			9 0080	



# Grind Hog<sup>TM</sup>

## MODEL 24ASX

5 Mile Pump Station  
Harborcreek Township Sewer Authority  
Erie County, PA

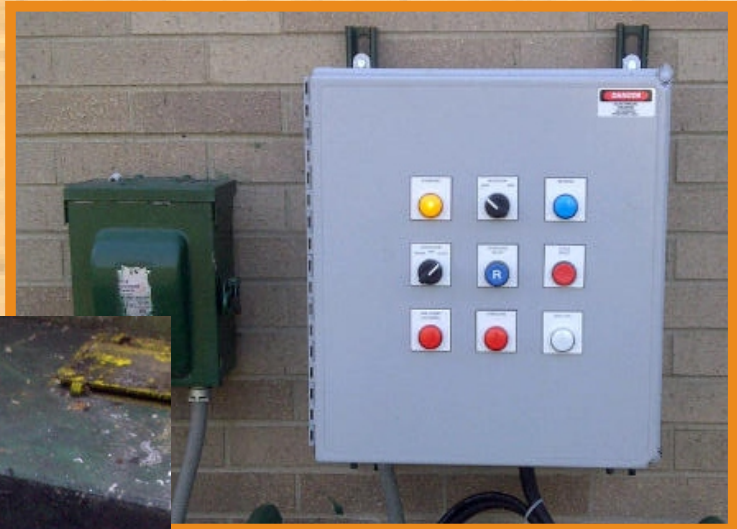
Replacing  
Smith & Loveless  
25RM



Harborcreek Township

in Erie County, PA

**GRIND HOG™ CONTROL PANEL**  
Installed with 25'  
Power Control Cable



**GRIND HOG™ 24ASX**  
Replaced Existing  
Smith & Loveless 25RM



**G.E.T. INDUSTRIES INC.**

Toll Free: (877) 213-7418  
E-mail: [get@grindhog.com](mailto:get@grindhog.com) ♦ Web: [www.grindhog.com](http://www.grindhog.com)



# Grind Hog<sup>TM</sup>

Town of the Blue Mountains  
Craigleith Sewage  
Treatment Plant Extension  
2002



PREVIOUSLY INSTALLED  
JONES & ATTWOOD  
25RM

GRIND HOG<sup>TM</sup> 24A

## CONTRACTOR

Maple Engineering &  
Construction Ltd.  
Brampton, ON

## ENGINEER

C.C. Tatham & Associates Ltd.  
Collingwood, ON



GRIND HOG<sup>TM</sup> 24A  
INSTALLED

## G.E.T. INDUSTRIES INC.

Toll Free: (877) 213-7418  
E-mail: [get@grindhog.com](mailto:get@grindhog.com) ♦ Web: [www.grindhog.com](http://www.grindhog.com)